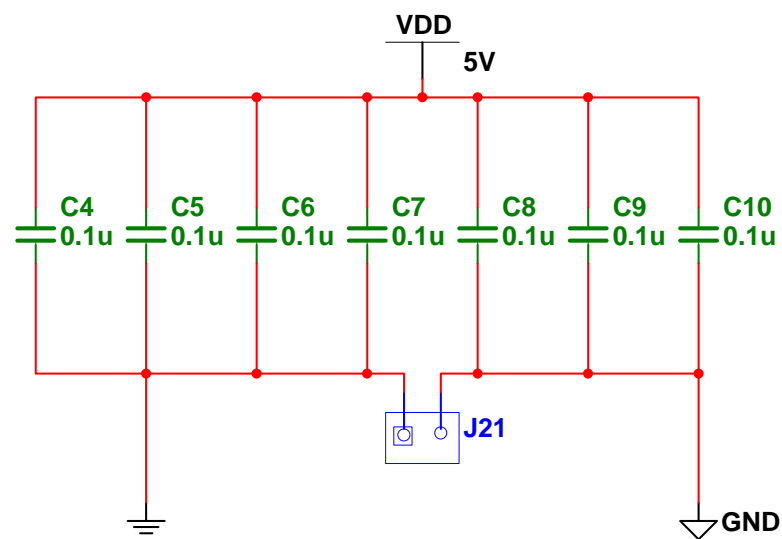
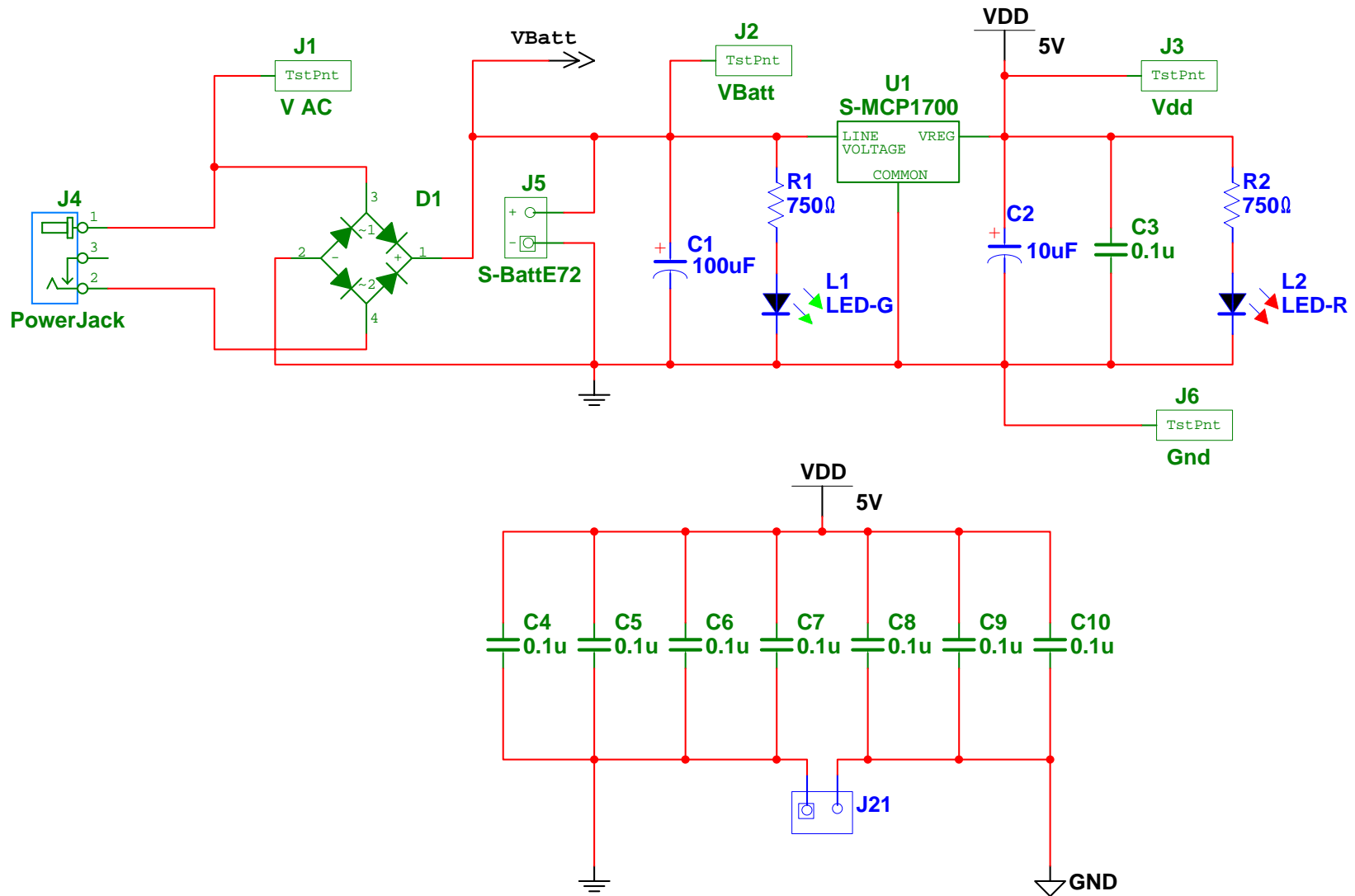


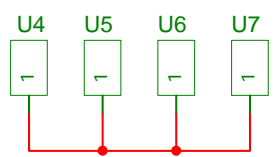
0 1 2 3 4 5 6 7 8

A
B
C
D
E
F
G

A
B
C
D
E
F
G



Mounting Holes on PCB



Title: E72RobotBoard Power		Date: 2009-09-08
Designed by: Erik Cheever		
Desc.: E72RobotBoard		
Sheet 1	of 3	Rev: 1.0
		Size: A



0 1 2 3 4 5 6 7 8